

GN 509.3 | Spring rings

for ball transfer units, steel or stainless steel



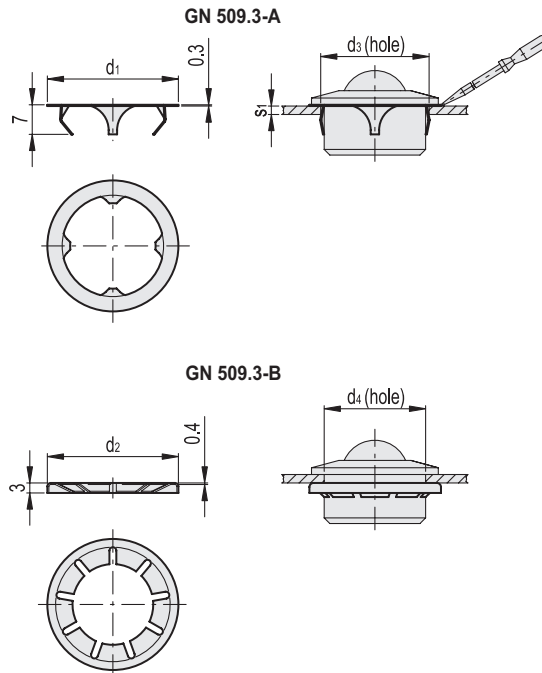
- 1
- 2
- 3
- 4
- 5
- 6
- 7
- 8
- 9
- 10
- 11
- 12
- 13
- 14
- 15
- 16
- 17
- 18
- 19

STANDARD EXECUTIONS

- **GN 509.3-A:** stainless steel, for clamping and removal from the side of assembly.
- **GN 509.3-B:** zinc-plated steel, for safety clamping from the side opposite to assembly.

FEATURES AND APPLICATIONS

GN 509.3 spring rings allow an easy and quick assembly and removal of ball transfer units GN 509 (see page 973), GN 509.1 (see page 974), UTB (see page -), and UTR (see page -).



| Conversion Table | | | |
|-------------------|------|----|------|
| 1 mm = 0.039 inch | | | |
| d1 | | d2 | |
| mm | inch | mm | inch |
| 31 | 1.22 | 36 | 1.42 |
| 44 | 1.73 | 38 | 1.50 |
| 55 | 2.16 | | |

GN 509.3-A



| Code | Description | d1 | d3 | S1 | GN 509/GN 509.1/UTB/UTR | ⚖ |
|----------|---------------|----|-----------|-----|-------------------------|---|
| GN.23061 | GN 509.3-31-A | 31 | 25 -0.2 | 2+3 | 15 | 1 |
| GN.23071 | GN 509.3-44-A | 44 | 37.3 -0.3 | 2+4 | 22 | 1 |
| GN.23081 | GN 509.3-55-A | 55 | 46.7 -0.3 | 2+4 | 30 | 1 |

GN 509.3-B



| Code | Description | d2 | d4 | GN 509/GN 509.1 | ⚖ |
|----------|---------------|----|------|-----------------|---|
| GN.23073 | GN 509.3-36-B | 36 | 22.2 | 12 | 3 |
| GN.23076 | GN 509.3-38-B | 38 | 24.2 | 15 | 3 |

Machine elements